



**SCHWING
Stetter**

SELF LOADING MIXER

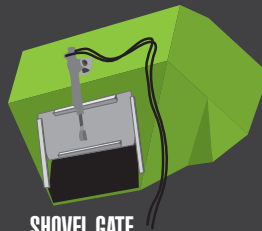
SLM 4000 | SLM 2200

SPM 4000 | SPM 2200



255°

DRUM ROTATION



SHOVEL GATE



INBUILT INCLINATION SENSOR

Low Fuel
Consumption

**BUILDING
A BETTER
NATION**



SLM 2200



SELF LOADING MIXER



SLM 4000

Schwing Stetter India, World's leading concrete equipment manufacturer has consistently innovated to deliver more improved experience to customers in all dimensions.

In pursuit of even more ambitious goals, Schwing Stetter's R&D has become the driving force of new product development that is able to look beyond the conventional.

The result is a range of compact & manoeuvrable machines – Self Loading Concrete Mixer's, that offer unparalleled versatility, efficiency, comfort and above all, safety.

Our new launch of self propelled mixers SPM4000 and SPM2200 are made for special tunnel concreting applications which comes without shovel, arm assembly and joystick.



TILTABLE STEERING COLUMN

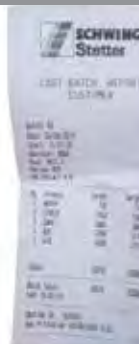
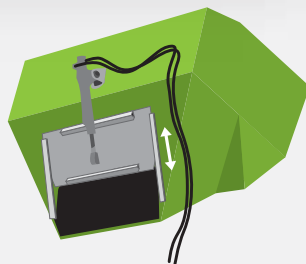


255° rotation of drum for concrete discharge



SHOVEL GATE

- Zero spillage while loading into drum.
- Higher productivity.





SPECIAL FEATURES



DOUBLE ACTING CYLINDERS FOR SHOVEL ARM

INNOVATIVE SPIRAL DESIGN

- Better homogeneity of concrete.
- Lesser mixing time.
- Faster discharge.
- Zero spillage of concrete while discharge.

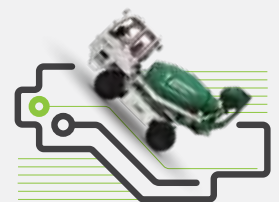
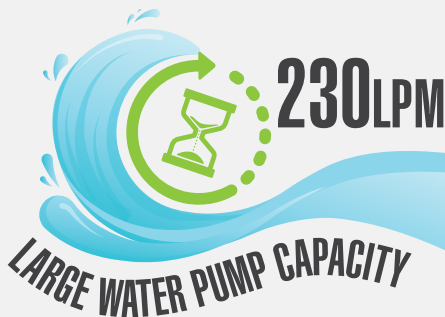


DRUM TILTING

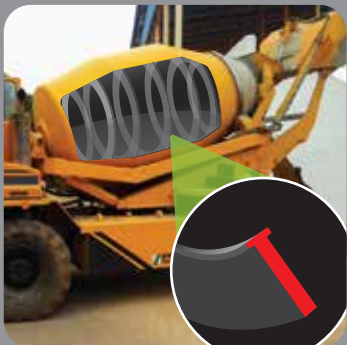
- Drum tilting – even in full load condition.
- Can lift the drum even with a load of 10 tons.



Joystick for shovel operation



INBUILT INCLINATION SENSOR



SLEWING DRUM



- 255° rotation of drum for concrete discharge.



- Drum tilting – even in full load condition.
- Can lift the drum even with a load of 10 tons.



LOW CENTRE OF GRAVITY

- Best in industry – lowest centre of gravity.
- Making the machine highly stable and grounded at all gradeable positions.



- Less fuel consumption.
- Flexible & efficient operation.

INNOVATIVE SPIRAL DESIGN



LESSER MIXING TIME



FASTER DISCHARGE OF CONCRETE



ZERO SPILLAGES OF CONCRETE WHILE DISCHARGE

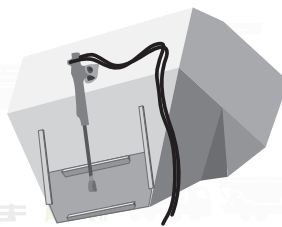


BETTER HOMOGENEITY OF CONCRETE

SHOVEL GATE



SAVINGS BECAUSE OF ZERO CEMENT SPILLAGES



INDUSTRY'S HIGHEST WEIGHING CAPACITY



HIGHER PRODUCTIVITY

Lesser number of wear and tear parts.



ZERO SPILLAGES WHILE LOADING INTO DRUM



JOYSTICK FOR SHOVEL OPERATION



OPTIONAL FEATURES

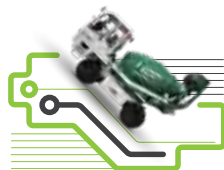
- GPS system.
- Rear / loading view camera.
- Ground control operation.
- Admixture system.
- Centralized hand operated operating system.
- Cabin air-conditioning.
- Cabin heating.
- Cold start kit.

WEIGHING SYSTEM

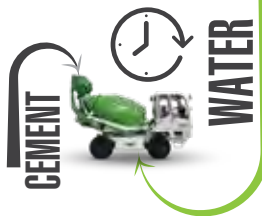


Tip-off function for weighing correction.

AUTOMATIC INCLINATION SENSOR. WEIGHING POSSIBLE EVEN AT AN INCLINATION.



INBUILT INCLINATION SENSOR



CEMENT WEIGHING AND WATER WEIGHING CAN BE DONE AT THE SAME TIME.

THUS RESULTING IN HIGHER CONCRETE PRODUCTION IN LESS TIME - IMPROVING THE OVERALL EFFICIENCY OF THE MACHINE.

BRAKING SYSTEM



MASTER CYLINDER CONTROLLED DISC BRAKING SYSTEM



EFFICIENT BRAKING AT ANY GRADEABLE POSITION

DUAL BRAKE CIRCUIT FOR AXLES

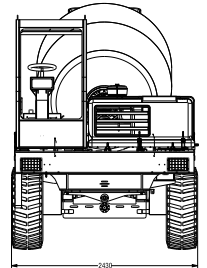
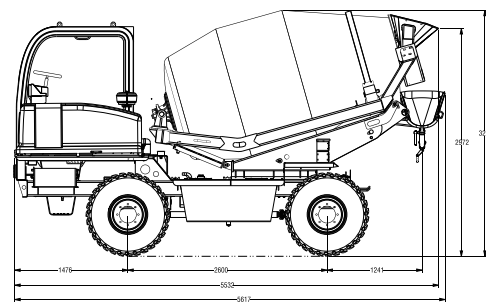
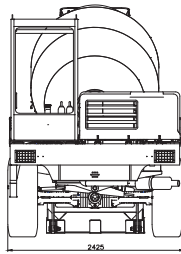
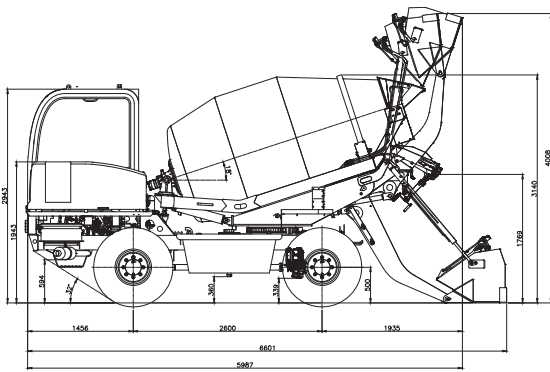


OVERALL DIMENSIONS



Slewing Model SLM4000

Self Propelled Mixer SPM4000



TECHNICAL DATA (SELF PROPELLED VERSION - SLEWING MODEL)

MODEL	UNIT	SPM 2200	SPM 4000
Engine capacity	KW	44.2	80.9
Transmission		4 speed automotive type	4 speed automotive type
Vehicle speed max.	Km/h	25	30
Gradeability	Degree	29° (55%)	24° (44%)
Steer drive axle		2 stage gear reduction, heavy duty	2 stage gear reduction, heavy duty
Brake		Master cylinder actuated disc brakes	Master cylinder actuated disc brakes
Steering system		Hydraulic power 3 way system	Hydraulic power 3 way system
Tyre & Rim		12.5 / 80 - 18 AT 621 HD 16 PR TT	405 / 70 - 20 14 PR & 13" x 20"
Drum rotation	rpm	0 to 20	0 to 21
Drum slewing (Optional)	Degree	216	255
Drum capacity / Concrete output	m ³	2.2	4.3
Water tank capacity	Litres	380	750
Weight laden	Kg	11130 (Empty = 6380)	18620 (Empty = 8300)
Wheel base	mm	2050	2600
Overall dimension (L x B x H)	mm	4550 x 2140 x 2760	5620 x 2430 x 3215



TECHNICAL DATA (SLEWING MODEL)

MODEL	UNIT	SLM 2200	SLM 4000
Engine capacity	KW	44.2	80.9
Transmission		4 speed automotive type	4 speed automotive type
Vehicle speed max.	Km/h	25	30
Gradeability	Degree	29° (55%)	24° (44%)
Steer drive axle		2 stage gear reduction, heavy duty	2 stage gear reduction, heavy duty
Brake		Master cylinder actuated disc brakes	Master cylinder actuated disc brakes
Steering system		Hydraulic power 3 way system	Hydraulic power 3 way system
Tyre & Rim		12.5 / 80 - 18 AT 621 HD 16 PR TT	405 / 70 - 20 14 PR & 13" x 20"
Drum rotation	rpm	0 to 20	0 to 21
Drum slewing (Optional)	Degree	216	255
Drum capacity / Concrete output	m ³	2.2	4.3
Typical output	m ³ /h	6 to 8	12 to 14
Loading shovel	Litres	415	600
Water tank capacity	Litres	380	750
Weight laden	Kg	11660 (Empty = 6380)	18500 (Empty = 8900)
Wheel base	mm	2050	2600
Overall dimension (L x B x H)	mm	4690 x 2140 x 3350	5987 x 2425 x 4008

TECHNICAL DATA (NON SLEWING MODEL)

MODEL	UNIT	SLM Bee 2.0	SLM 4000
Engine capacity	KW	44.2	80.9
Transmission		4 speed automotive type	4 speed automotive type
Vehicle speed max.	Km/h	25	30
Gradeability	Degree	29° (55%)	24° (44%)
Steer drive axle		2 stage gear reduction, heavy duty	2 stage gear reduction, heavy duty
Brake		Master cylinder actuated disc brakes	Master cylinder actuated disc brakes
Steering system		Hydraulic power 3 way system	Hydraulic power 3 way system
Tyre & Rim		12.0 / 75 - 18 12 PR (HD) & 9" x 18"	405 / 70 - 20 14 PR & 13" x 20"
Drum rotation	rpm	0 to 20	0 to 21
Drum capacity / Concrete output	m ³	2.2	4.3
Typical output	m ³ /h	6 to 8	12 to 14
Loading shovel	Litres	380	600
Water tank capacity	Litres	380	750
Weight laden	Kg	10730 (Empty = 5450)	17800 (Empty = 8200)
Wheel base	mm	2050	2600
Overall dimension (L x B x H)	mm	4690 x 2160 x 3350	5987 x 2425 x 4008

SCHWING - STETTER ALWAYS CLOSE TO THE CUSTOMER.



-  Sales Office
-  Resident Engineer
-  Resident Engineer with Spares Depot
-  Service Centre with Spares Depot
-  Dealership Support
-  Customer Training Center



PRODUCT VIDEO



SSI WEBSITE

SCHWING STETTER (INDIA) PVT LTD

An ISO 9001 : 2015 Company

CORPORATE OFFICE : F 71 - 72, SIPCOT Industrial Park, Irungattukottai, Sriperumbudur Taluk, Kancheepuram District, Tamil Nadu - 602117.
Tel : 044 - 71378100 / 106
Email : chennai@schwingstetterindia.com

Mumbai : 620/621, Nirmal Lifestyle Corporate Centre, 6th floor, LBS Marg, Mulund (West), Mumbai - 400080.
Tel : 022 25624863 / 64, 30718300, 71378100
Fax : 022 25624865 / 66
Email : mumbai@schwingstetterindia.com

New Delhi : 19, Okhla Industrial Estate, Phase III, New Delhi - 110 020.
Tel : 011 33555588
Email : newdelhi@schwingstetterindia.com

Kolkata : 4th Floor, Mira Towers, Plot No. 27, Block EP, Sector V, Electronics Complex, Salt Lake City, Kolkata - 700091. Tel: 033 40823300
Email : kolkata@schwingstetterindia.com

Hyderabad : No.8-2-268/1/C, Plot 2, Road 3, Arora Colony, Banjara Hills, Hyderabad-500034.
Tel: 040 33555588 / 47848601 Fax: 040 23731770
Email : hyderabad@schwingstetterindia.com

Mohali : D 91-PH-VII, Industrial Area, Mohali, Punjab - 160 055. Tel : 0172 3957500 / 3957501
Email : chandigarh@schwingstetterindia.com

Bengaluru : No 138-B, 'UDAYAGIRI COMPLEX', 3rd Phase, KIADB Industrial Area, Peenya, Bangalore - 560058. Tel: 080-68114300
Email : bangalore@schwingstetterindia.com

Visakhapatnam : Plot No.54, IDA - Block 'D', Expansion, Auto nagar, Visakhapatnam - 530 012.
Tel : 09100061783 Fax: 0891 2706063

Jammu : C/o. VRL Logistics Limited, Plot No. 19, Transport Nagar, Narwal, Jammu - 180006.
Tel : 099060 35941

Ahmedabad : 103, Shivalik Arcade, 100 Ft., T.P Anand Nagar, Satellite Road, Ahmedabad - 380 051.
Tel : 079 71378100
Email : ahmedabad@schwingstetterindia.com

Cochin : No.134 / 1404 B, Arakkakadavu Road, Anchumana, Edappally P.O. Cochin - 682 024.
Tel: 0484 - 3355558 / 4055544 Fax: 0484 4506165
Email : cochin@schwingstetterindia.com

Bhubaneswar : Plot No:182, Naharkanta, Rudrapur, Beside Puri Main Canal, NH5, Bhubaneswar-752101, Odisha. Tel : 09078884484 / 85

Pune : Baner Biz Bay, A Wing, 7th Floor, Office No. A-701 & 702, Baner Road, Near D-Mart, Pune - 411 045. Tel: 020-6718500
Email : pune@schwingstetterindia.com

Coimbatore : 2005, Trichy Road, Old Rajalaxmi Mills, Singanallur, Coimbatore-641005. Tel: 0422 3223660
Email : coimbatore@schwingstetterindia.com

Raipur : NH-6, Opposite Vardhaman Motor, Kumahari, Dist - Durg, Chhattisgarh - 490042.
Tel : 07821 247066
Email : sunil.kumar@schwingstetterindia.com

Patna : C/o. House of Ashok Kumar Rana, Ground & First Floor, Samridhi Bhawan, Agamkuan Road, Shivaji Colony, Pahari More, Patna - 800007, Bihar. Tel : 09570996702
Email : rajiv.chandra@schwingstetterindia.com

Surat : Shop No. 128, First Floor, Aagam Orchid, TP Scheme No 6, Opp. Shiv Kartik Complex, Off VIP Road, Nr. Shrungar Building, Nr Nandini 2, Vesu, Surat-395007 Tel : 08980002726
Email : ahmedabad@schwingstetterindia.com

Guwahati : House No. 161, Jaya Nagar, Six Miles, Khanapara, Guwahati - 781 022.
Tel: 0361 2234738 / 098314 34098
Email : amjad.hussain@schwingstetterindia.com

Goa : C/o Agarwal Packers and Movers Limited, Plot No X-1, Verna Industrial Estate, Verna, Goa - 403722. Tel: 09820203847
Email : sohit.chakhaiyar@schwingstetterindia.com

Nagpur : C/o Amrut Dairy Farm, No. 118, Opp VCA Stadium, Jamtha, 16th KM Milestone, NH-7, Wardha Road, Nagpur - 441108. Tel : 09820203847
Email : sohit.chakhaiyar@schwingstetterindia.com

Indore : Plot No.1074/9/1, A.B. Road (By-Pass), (Opp) Silicon Valley Housing Project, Rau - 453331, Indore. M.P. Tel : 08085966587
Email : ahmedabad@schwingstetterindia.com

Jaipur : F-551, Road No. 6, Lehar Choraha, Vishwakarma Industrial Area (VKI Area), Jaipur - 302 013, Rajasthan. Phone: 09672423444