

Mobile Concrete Conveyor

F 12



SCHWING Stetter Mobile Concrete Conveyor F 12

SCHWING Stetter F 12 belt conveyor is a product of unmatched value it can place various bulk materials as well as place un-pumpable concrete.

The main advantage with this machine is, one can save time and labour cost for placing concrete. The conveyor can handle concrete of slump 20mm to 200mm and bulk materials including sand, gravel that can be placed in screed.



Heavy duty steel belt arm with superior swivel angle

Keeping the rising fuel costs in mind, Stetter has built the machine with lightweight fine-grained steel to ensure reduce overall load. The specially engineered belt is made of the finest components and is not affected by cement paste and contact corrosion for a very long service life.

The belt is attached by means of a torsion resistant formed section frame and increases productivity with its high 45m³/hr conveyance. Its wide swivel angle enables a large working radius of 265 degrees. This combined with its foldable boom enables it for use even in the most cramped construction sites.

Control and Technology

- Easy to operate control block with separate housing for belt and cylinder controls.
- Specially engineered belt provides an exceptionally long life.
- 110 degree belt trough angle allows of easy conveyance without spillage and also enables easy cleaning of the belt.



Control system



Outriggers at front and rear to provide support



Water Tank

Optional accessories

- Two independently operable outriggers at the rear of the vehicle for increased stability

Useful for rapid concreting of

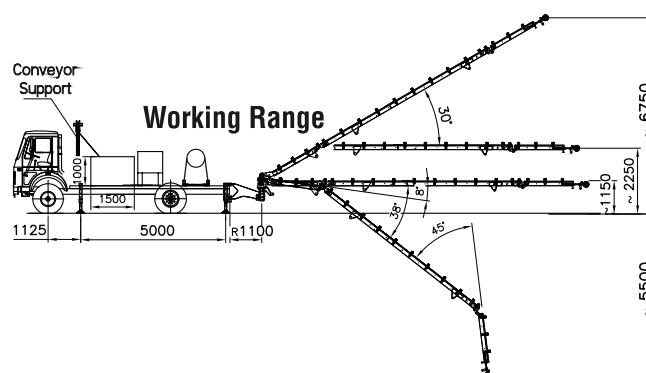
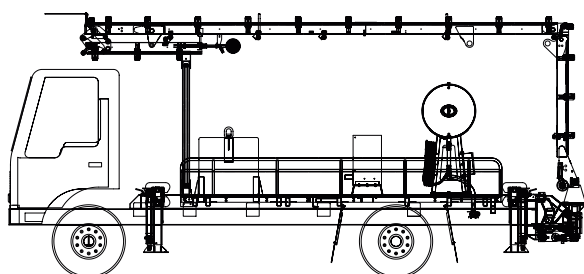
- Roads
- Pier caps
- Slope walls
- Canal linings
- Bridge necks and other bridge jobs
- Villa projects
- Placing mortar, wet screed, gravel & other bulk materials.
- The wide working range with multiple bending belts permits application on confined & cramped construction sites.
- All types of concrete can be conveyed – Slump can be from 20 to 200mm.



110° belt trough angle for reliable and clean material conveyance

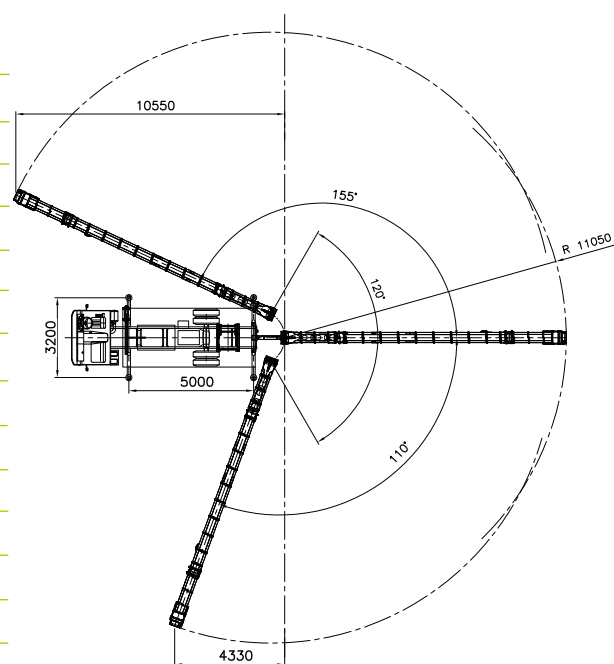


The compacted belt drive permits unimpeded work in confined spaces.






TECHNICAL DATA

Description	Units	Values
Distance between pulleys	m	11
Max.transport / conveying capacity	m ³ /h	45
Swivel radius	m	12.15
Belt speed, infinitely adjustable	m/sec	2.8
Folding angle, belt arm1	deg	38°
Folding angle, belt arm2	deg	38°
Folding angle, belt arm3	deg	45°
Total swivel angle	deg	290°
Working swivel angle	deg	265°
Belt width	mm	390
Conveyor belt thickness	mm	8
Belt trough angle	deg	110°
Approx. Self weight	kg	1880



SCHWING - STETTER ALWAYS CLOSE TO THE CUSTOMER.

-  Sales Office
-  Resident Engineer
-  Resident Engineer with Spares Depot
-  Service Centre with Spares Depot
-  Dealership Support
-  Customer Training Center



SCHWING STETTER (INDIA) PVT LTD

An ISO 9001 : 2015 Company

CORPORATE OFFICE : F 71 - 72, SIPCOT Industrial Park, Irungattukottai, Sriperumbudur Taluk, Kancheepuram District, Tamil Nadu - 602117.
Tel : 044 - 71378100 / 106 Fax : 044 27156539
Email : chennai@schwingstetterindia.com

Kolkata : Y6, Block EP, Sector V, Electronics Complex, Salt Lake City, Kolkata-700091. Tel: 033 40823300
Email : kolkata@schwingstetterindia.com

Bengaluru : No 138-B, "UDAYAGIRI COMPLEX", 3rd Phase, KIADB Industrial area, Peenya, Bangalore - 560058.
Tel : 080 3355 5588 Fax : 080 3011 4301
Email : bangalore@schwingstetterindia.com

Ahmedabad : 103, Shivalik Arcade, 100 Ft., T.P Anand Nagar, Satellite Road, Ahmedabad 380 051.
Tel : 079 71378100 Fax : 079 4006 4084
Email : ahmedabad@schwingstetterindia.com

Pune : Baner Biz Bay, A Wing, 7th Floor, Office No. A-701 & 702, Baner Road, Near D-Mart, Pune - 411 045.
Email : pune@schwingstetterindia.com

Patna : C/o. House of Ashok Kumar Rana, Ground & First Floor, Samridhi Bhawan, Agamkuan Road, Shivaji Colony, Pahari More, Patna - 800007, Bihar. Tel : 09570996702
Email : rajiv.chandra@schwingstetterindia.com

Goa : C/o Agarwal Packers and Movers Limited, Plot No X-1, Verna Industrial Estate, Verna, Goa - 403722. Tel: 09820203847
Email : sohit.chakhaiyar@schwingstetterindia.com

Mumbai : 620/621, Nirmal Lifestyle Corporate Centre, 6th floor, LBS Marg, Mulund (West), Mumbai 400080.
Tel : 022 25624863 / 64, 30718300, 71378100
Fax : 022 25624865 / 66
Email : mumbai@schwingstetterindia.com

Hyderabad : No.8-2-268/1/C, Plot 2, Road 3, Arora Colony, Banjara Hills, Hyderabad-500034.
Tel: 040 33555588 / 30948601 Fax: 040 23731770
Email : hyderabad@schwingstetterindia.com

Visakhapatnam : Plot No.54, IDA - Block 'D', Expansion, Auto nagar, Visakhapatnam - 530 012.
Tel : 09100061783 Fax: 0891 2706063

Cochin : No.134 / 1404 B, Arakkakadavu Road, Anchumana, Edappally P.O. Cochin - 682 024.
Tel: 0484 - 3355558 / 4055544 Fax: 0484 4506165
Email : cochin@schwingstetterindia.com

Coimbatore : 2005, Trichy Road, Old Rajalaxmi Mills, Singanallur, Coimbatore-641005. Tel: 0422 3223660
Email : coimbatore@schwingstetterindia.com

Surat : Shop No. 128, First Floor, Aagam Orchid, TP Scheme No 6, Opp. Shiv Kartik Complex, Off VIP Road, Nr. Shrungar Building, Nr Nandini 2, Vesu, Surat-395007 Tel : 08980002726
Email : ahmedabad@schwingstetterindia.com

Nagpur : C/o Amrut Dairy Farm, No. 118, Opp VCA Stadium, Jamtha, 16th KM Milestone, NH-7, Wardha Road, Nagpur - 441108. Tel : 09820203847
Email : sohit.chakhaiyar@schwingstetterindia.com

New Delhi : 19, Okhla Industrial Estate, Phase III, New Delhi - 110 020.
Tel : 011 30928500 Fax : 011 30928530
Email : newdelhi@schwingstetterindia.com

Mohali : D 91-PH-VII, Industrial Area, Mohali, Punjab - 160 055. Tel : 0172 3957500 / 3957501
Email : chandigarh@schwingstetterindia.com

Jammu : C/o. VRL Logistics Limited, Plot No. 19, Transport Nagar, Narwal, Jammu - 180006.
Tel : 099060 35941.

Bhubaneswar : Plot No:182, Naharkanta, Rudrapur, Beside Puri Main Canal, NH5, Bhubaneswar - 752101, Odisha. Tel : 9078884484 / 85

Raipur : NH-6, Opposite Vardhaman Motor, Kumahari, Dist - Durg, Chhattisgarh - 490042.
Tel : 07821 247066
Email : sunil.kumar@schwingstetterindia.com

Guwahati : House No. 161, Jaya Nagar, Six Miles, Khanapara, Guwahati 781 022.
Tel: 0361 2234738 / 099575 66738

Indore : Plot No.1074/9/1, A.B. Road (By-Pass), (Opp) Silicon Valley Housing Project, Rau-453331, Indore - 452010. M.P. Tel : 8085966587
Email : ahmedabad@schwingstetterindia.com

Jaipur : F-551, Road No. 6, Lehar Choraha, Vishwakarma Industrial Area (VKI Area), Jaipur - 302 013, Rajasthan. Phone: 09672423444

The Data given in this brochure are subject to change without notice.